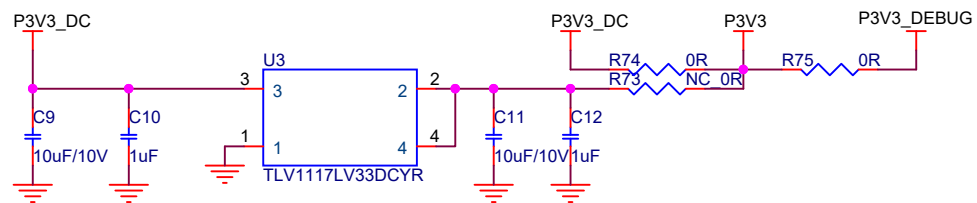
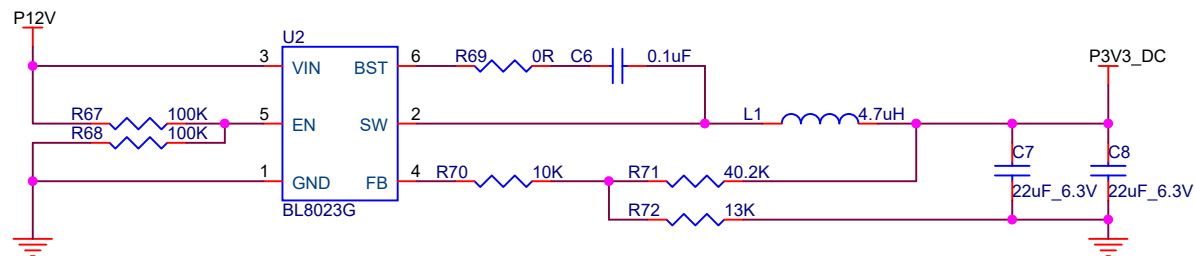
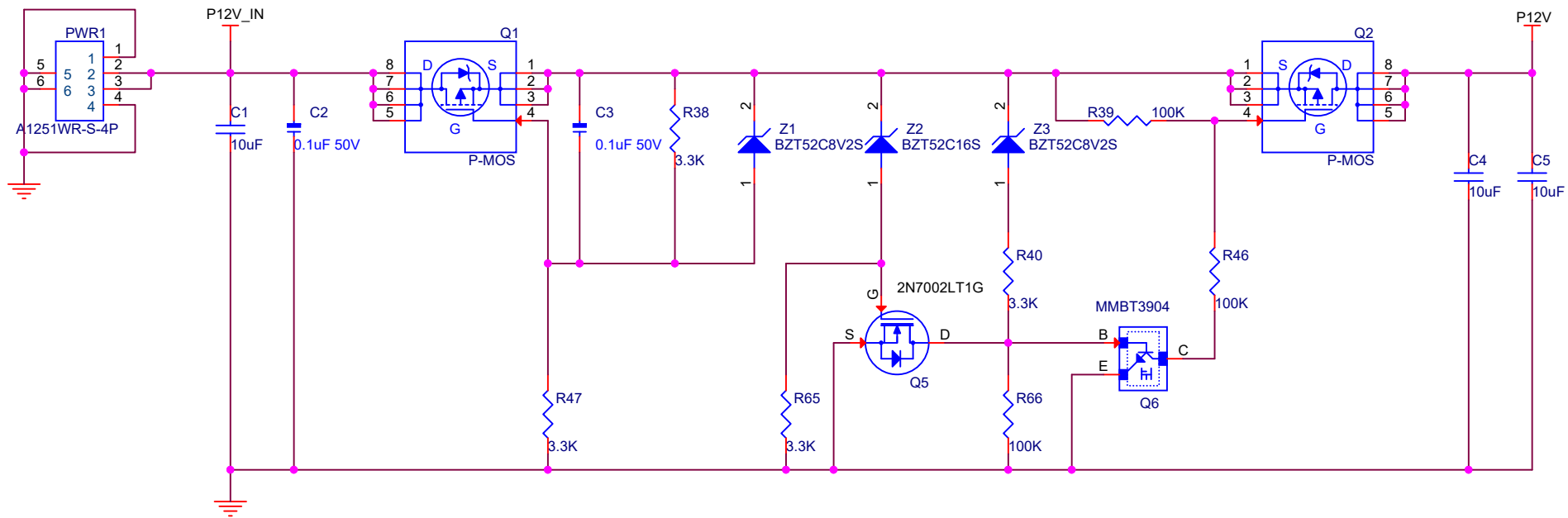


Title	<Title>		Rev	<Rev Code>
Size	A3	Document Number	<Doc>	
Date:	Tuesday, April 28, 2026		Sheet	1 of 1



Title		
<Title>		
Size	Document Number	Rev
A4	<Doc>	<Rev>
Date:	Tuesday, April 28, 2026	Sheet 1 of 1