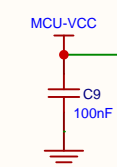
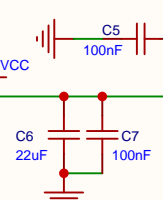
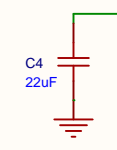
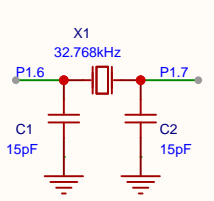
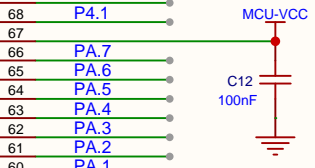
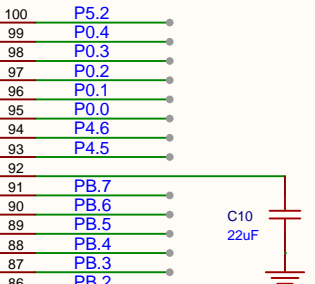


主控芯片使用 STC32G144K246-LQFP100
可以直接仿真，不需外部晶振，不需外部复位，宽电压2.0~5.5V

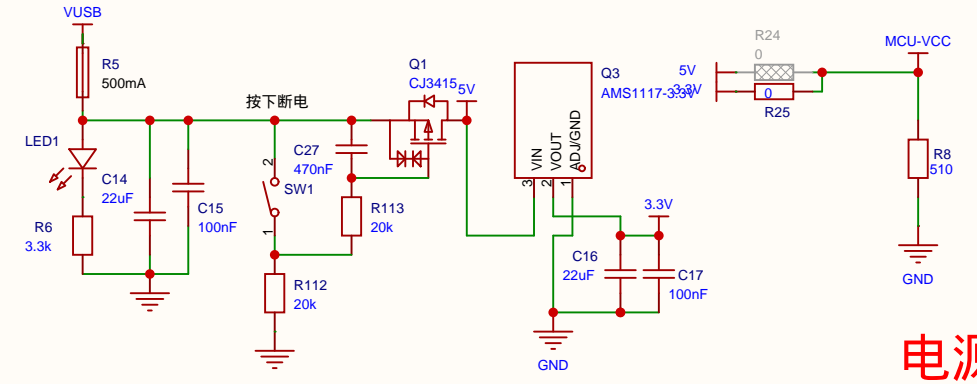
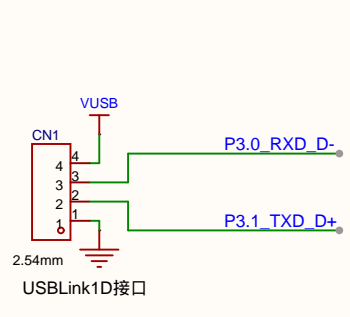
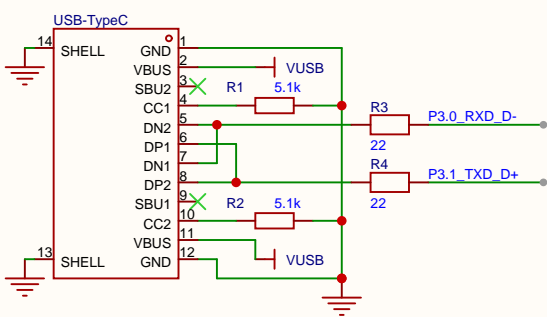


- P5.3 1
- P0.5 2
- P0.6 3
- P0.7 4
- P6.0 5
- P6.1 6
- P6.2 7
- P6.3 8
- P8.0 9
- P8.1 10
- P8.2 11
- P8.3 12
- P8.4 13
- P8.5 14
- P8.6 15
- P8.7 16
- 17
- P1.0 18
- P1.1 19
- P4.7 20
- P1.4 21
- P1.5 22
- P1.6 23
- P1.7 24
- GND 25
- UCAP 26
- P5.4 (RST) 27
- VREF 28
- GND 29
- P4.0 30
- P6.4 31
- P6.5 32
- P6.6 33
- P6.7 34
- P9.0 35
- P9.1 36
- P9.2 37
- P9.3 38
- P9.4 39
- P9.5 40
- P9.6 41
- P9.7 42
- 43
- P3.0 RXD D- 44
- P3.1 TXD D+ 45
- P3.2 46
- P3.3 47
- P3.4 48
- P5.0 49
- 50

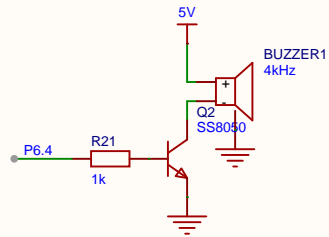
Pin	Function
1	P5.3/CAN2_TX_2/LIN_TX_2/CMP3+_2/TXD4_2
2	P0.5/AD5/ADCB5/T3CLKO/SCLK2_2/PWMA_E2_2/OPA1-_1/OPA1+_2
3	P0.6/AD6/ADCB6/T4PWMB_ETR_2/LIN2_RX
4	P0.7/AD7/ADCB7/T4CLKO/PWMB_BRK_2/OPA10_1/LIN2_TX
5	P6.0/ADCB8/PWMA1P_3/OPA2+_2/OPA1+_3
6	P6.1/ADCB9/PWMA1N_3/OPA2-_2/OPA1-3
7	P6.2/ADCB10/PWMA2P_3/OPA2O_4/LIN2_RX_3
8	P6.3/PWMA2N_3/OPA4O_4/OPA4+_2/OPA1O_4/LIN2_TX_3
9	P8.0/SS2_4
10	P8.1/MOSI2_4
11	P8.2/MISO2_4
12	P8.3/SCLK2_4
13	P8.4/RXD2_3/LIN2_RX_4
14	P8.5/TXD2_3/LIN2_TX_4
15	P8.6/RXD3_3
16	P8.7/TXD3_3
17	Core_Vcc
18	P1.0/ADCO/RXD2/PWMA1P/CMP2+_2/QSP11_IO3
19	P1.1/ADC1/TXD2/PWMA1N/CMP2-_2/QSP11_IO2
20	P4.7/TXD2_2/PWMA_E2/CMP2O_1/LIN_TX_3/CAN2_TX_3/QSP11_IO3_2
21	P1.4/ADC4/MISO/I2CSDA/PWMA3P/OSPI1_IO1
22	P1.5/ADC5/SCLK/I2CSCL/PWMA_E2_4/PWMA3N/QSP11_CLK
23	P1.6/ADC6/RXD_3/MCLKO_2/XTALO/PWMA4P/OPA4+_1/I2S_MCLK_4
24	P1.7/ADC7/TXD_3/XTALI/PWMA4N/PWMA/OPA4-_1/I2S_MCLK_4
25	(P1.3/ADC3/T2CLKO/MOSI/PWMA_E1_4/PWMA2N/OPA4O_1/QSP11_IO0) ADC_AGnd/ADC_VRef
26	UCAP
27	P5.4/RST/MCLKO/SS_3/PWMB6_2/QSP11_NCS_2
28	(P1.2/ADC2/ADC_ETR/ADCB_ETR/T2/SS/PWMA2P/QSP11_NCS) VCC/ADC_AVCC
29	ADC_AVREF+
30	GND
31	P4.0/MOSI_3/CMP2O_2/OPA4O_2/QSP11_IO0_2/I2S_Data_4
32	P6.4/SS2/PWMA3P_3/OPA4+_3/I2S_Data_2
33	P6.5/MOSI2/PWMA3N_3/OPA4-_2/I2S_LRCK_2
34	P6.6/MISO2/PWMA4P_3/CMP2-_1/I2S_BCK_2
35	P6.7/SCLK2/PWMA4N_3/CMP2+_1/I2S_MCK_2
36	P9.0/
37	P9.1/
38	P9.2/
39	P9.3/
40	P9.4/
41	P9.5/
42	P9.6/
43	P9.7/
44	Vcc
45	P3.0/RXD/INT4/D-
46	P3.1/TXD/D+
47	P3.2/INT0/SCLK_4/I2CSCL_4/PWMA_ETR/PWMB_ETR/OPA3O_1/I2S_BCK
48	P3.3/INT1/MISO_4/I2CSDA_4/PWMA4N_4/PWMB7_2/OPA4-_3/I2S_MCK
49	P3.4/T0/T1CLKO/MOSI_4/PWMA4P_4/PWMB8_2/CMP1O_1/I2S_Data
50	P5.0/RXD3_2/CMP1+_2/OPA3O_4/CAN_RX_2
51	CAN2_RX_2/LIN_RX_2/CMP3-_2/RXD4_2/P5.2
52	OPA1+_1/OPA1-_2/PWMA_E1_2/MISO2_2/T3/ADCB4/AD4/P0.4
53	CAN2_TX/LIN_TX/PWMB8_3/MOSI2_2/TXD4/T4CLKO_2/ADCB3/AD3/P0.3
54	CAN2_RX/LIN_RX/PWMB7_3/SS2_2/RXD4/T4_2/ADCB2/ADC10/AD2/P0.2
55	CAN_TX/PWMB6_3/TXD3/T3CLKO_2/ADCB1/ADC9/AD1/P0.1
56	CAN_RX/OPA10_2/OPA2O_2/PWMB5_3/RXD3/T3_2/ADCB0/ADC8/ADO/P0.0
57	OSPI1_IO2_2/CAN2_RX_3/LIN_RX_3/CMP4O_2/PWMA_E1/RXD2_2/P4.6
58	CAN_TX_3/CMP3O_2/PWMA_BRK_2/ALE/P4.5
59	Core_Vcc
60	TXD3_4/PB.7
61	RXD3_4/PB.6
62	/PB.5
63	SCLK2_3/PB.4
64	MISO2_3/PB.3
65	MOSI2_3/PB.2
66	SS2_3/PB.1
67	/PB.0
68	OPA2+_4/CMP3+_1/PWMB8_4/I2CSCL_3/P7.7
69	OPA2-_3/CMP3-_1/PWMB7_4/I2CSDA_3/P7.6
70	QSP11_NCS_3/OPA2+_3/PWMB6_4/P7.5
71	QSP11_IO3_3/OPA10_3/OPA2O_3/OPA3O_3/OPA4O_3/PWMB5_4/P7.4
72	LIN2_TX_2/OPA2-_1/CMP4+_1/PWMA4N_2/A14/P2.7
73	LIN2_RX_2/OPA2+_1/CMP4-_1/PWMA4P_2/A14/P2.6
74	I2S_MCK_3/CMP4O_1/PWMA3N_2/I2CSCL_2/SCLK_2/A13/P2.5
75	I2S_BCK_3/CMP3O_1/PWMA3P_2/I2CSDA_2/MISO_2/A12/P2.4
76	I2S_Data_3/PWMB8/PWMA2N_2/MOSI_2/A11/P2.3
77	I2S_LRCK_3/PWMB7/PWMA2P_2/SS_2/A10/P2.2
78	OPA3O_2/PWMB6/PWMA1N_2/A9/P2.1
79	OPA3+_2/PWMB5/PWMA1P_2/A8/P2.0
80	CMP4-_2/TXD_4/RD/P4.4
81	I2S_BCK_4/QSP11_CLK_2/CMP4+_2/SCLK_3/RXD_4/ADCB_ETR_2/ADC_ETR_2/P4.3
82	CAN_RX_3/OPA3-_2/OPA2O_1/WR/P4.2
83	I2S_LRCK_4/QSP11_IO1_2/CMP1O_2/PWMA_ETR_2/MISO_3/P4.1
84	Vcc
85	S8SCLK_2/PA.7
86	S8MISO_2/PA.6
87	S8MOSI_2/PA.5
88	S8SS_2/PA.4
89	TXD4_3/PA.3
90	RXD4_3/PA.2
91	TXD2_4/PA.1
92	RXD2_4/PA.0
93	QSP11_IO2_3/CAN2_TX_4/LIN_TX_4/PWMA_E2_3/PWMA_ETR_3/P7.3
94	QSP11_IO1_3/CAN2_RX_4/LIN_RX_4/PWMA_E1_3/P7.2
95	QSP11_CLK_3/CAN_TX_4/OPA3-_3/P7.1
96	QSP11_IO0_3/CAN_RX_4/OPA3+_3/P7.0
97	CMP1+_1/INT3/TXD_2/P3.7
98	CMP1-_1/INT2/RXD_2/P3.6
99	I2S_LRCK/OPA3+_1/PWMB_BRK/PWMA_BRK/SS_4/T0CLKO/TI/P3.5
100	CAN_TX_2/OPA3-_1/CMP1-_2/TXD3_2/P5.1



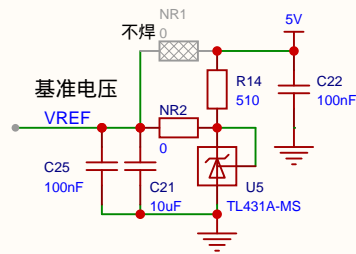
MCU



电源

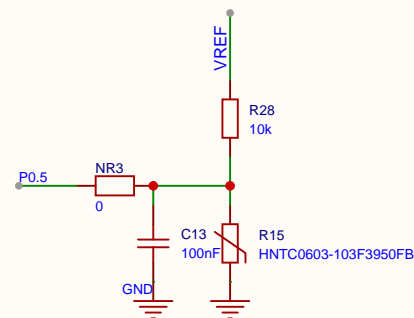


蜂鸣

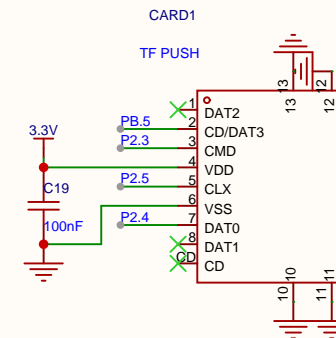


用0欧姆电阻选择基准电压
Vref=2.5V 出厂时不焊 NR1

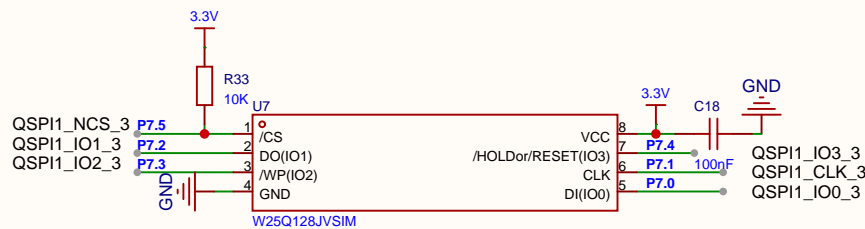
基准电压



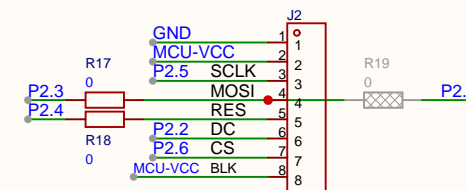
NTC



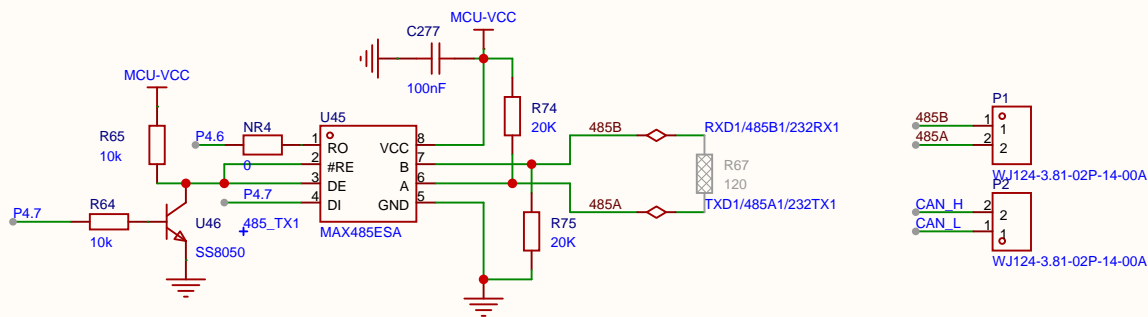
sd卡



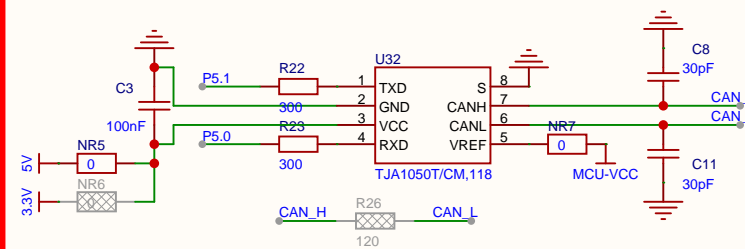
FLASH



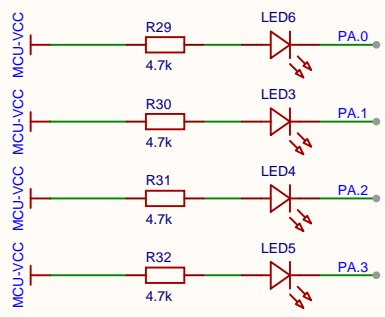
显示屏



485

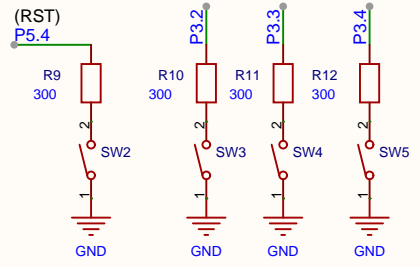


CAN

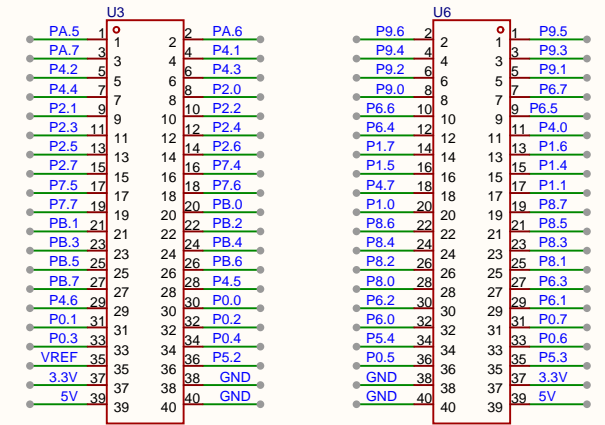


蜂鸣

LED



按键



排针

