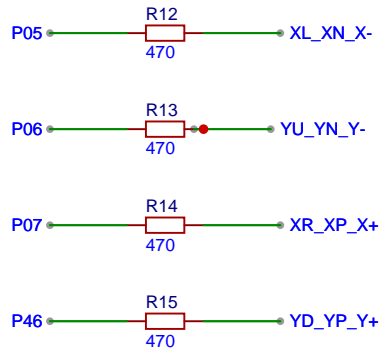
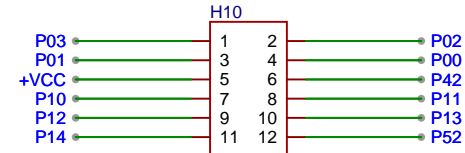
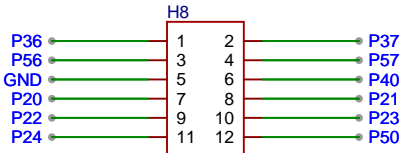
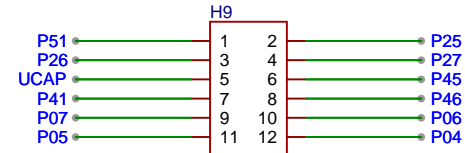
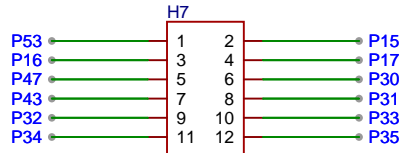
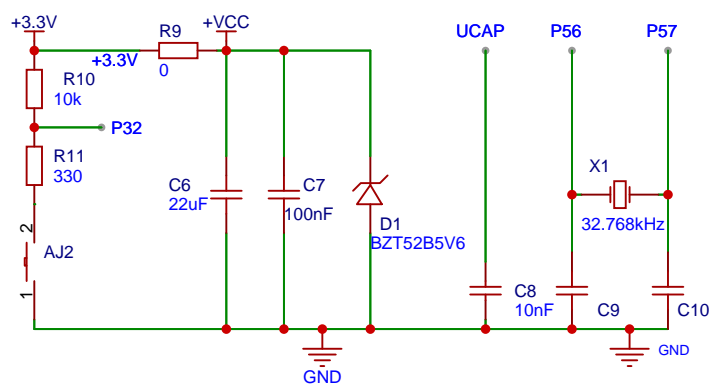
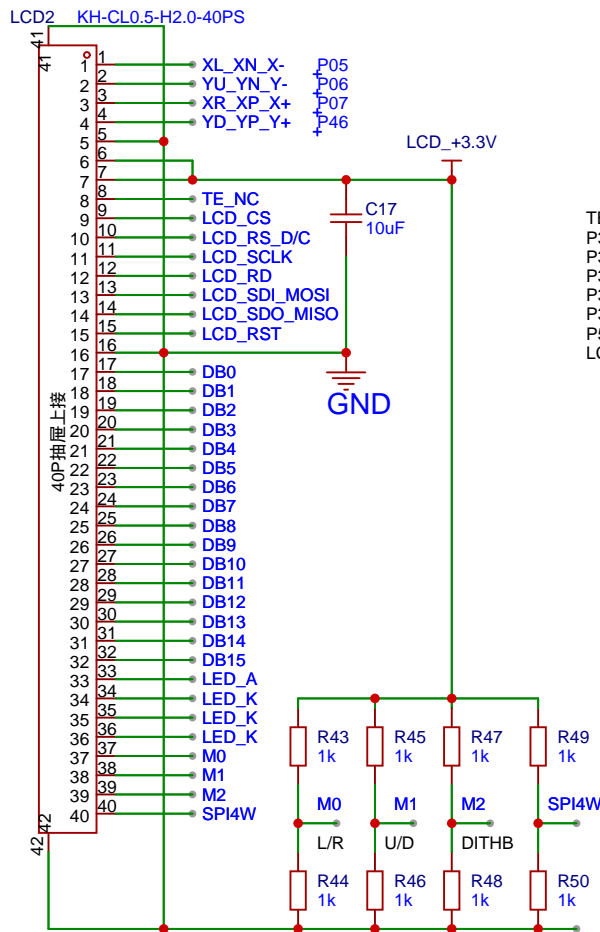


| | | | | | | | |
|-----------|---------------------|---------------------|---------------|-------|---|----|---|
| Schematic | 基于AI8051U的触摸彩屏控制开发板 | Update Date | 2024-12-12 | | | | |
| | | Create Date | 2024-12-10 | | | | |
| Page | 电源稳压 | Part Number | GLGK-24120801 | | | | |
| Drawn | 彭工_13662232532 | 基于AI8051U的触摸彩屏控制开发板 | | | | | |
| Reviewed | 彭工_13662232532 | | | | | | |
| | | VER | SIZE | PAGE | 1 | OF | 7 |
| 嘉立创EDA | | V1.0 | A3 | 阳光自由行 | | | |



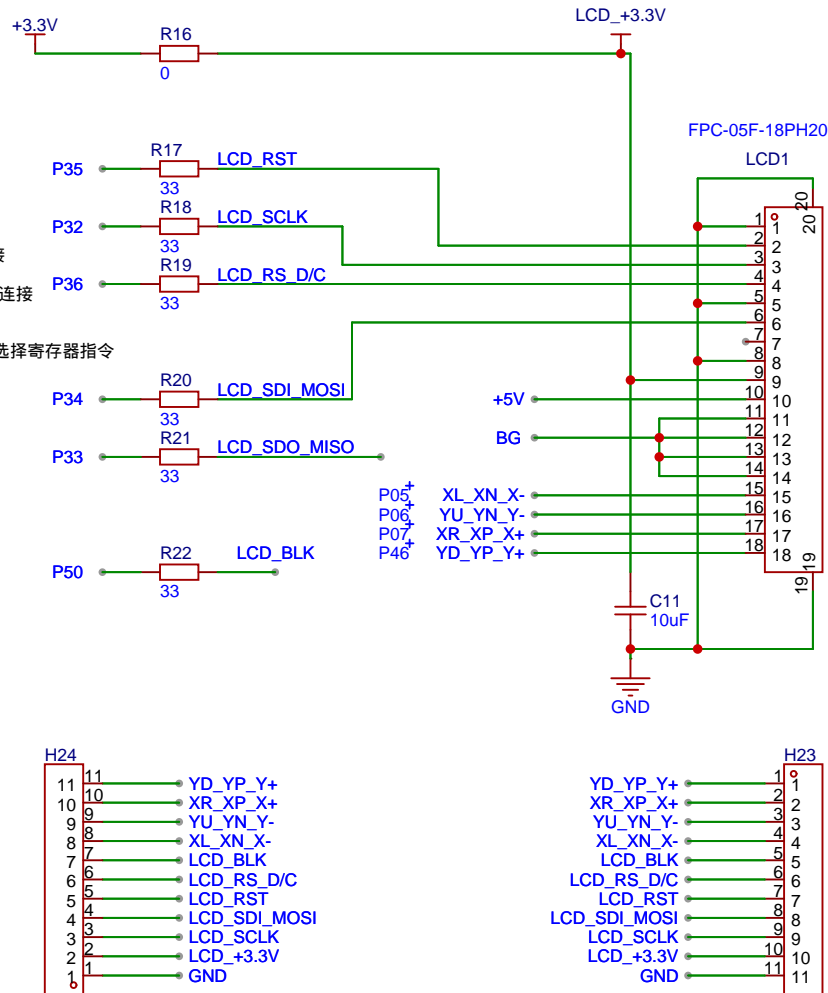
| | | | | |
|-------------|---------------------|---------------------|-------------|------------|
| Schematic | 基于AI8051U的触摸彩屏控制开发板 | | Update Date | 2024-12-12 |
| Page | MCU主控 | | Create Date | 2024-12-10 |
| Drawn | 彭工_13662232532 | 基于AI8051U的触摸彩屏控制开发板 | | |
| Reviewed | 彭工_13662232532 | | | |
| Part Number | GLGK-24120801 | | PAGE | 2 OF 7 |
| VER | | SIZE | PAGE 2 OF 7 | |
| V1.0 | | A4 | 阳光自由行 | |



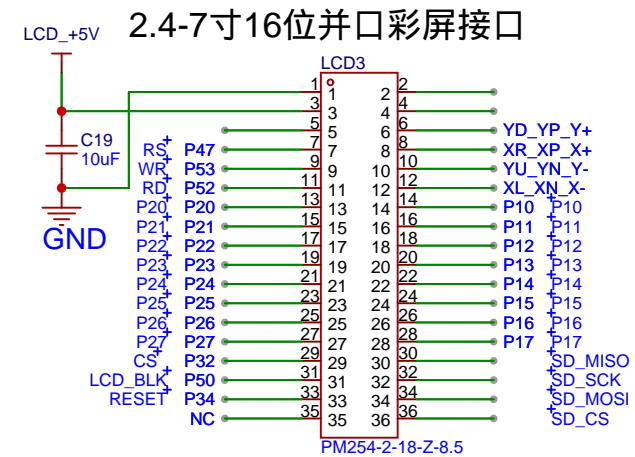
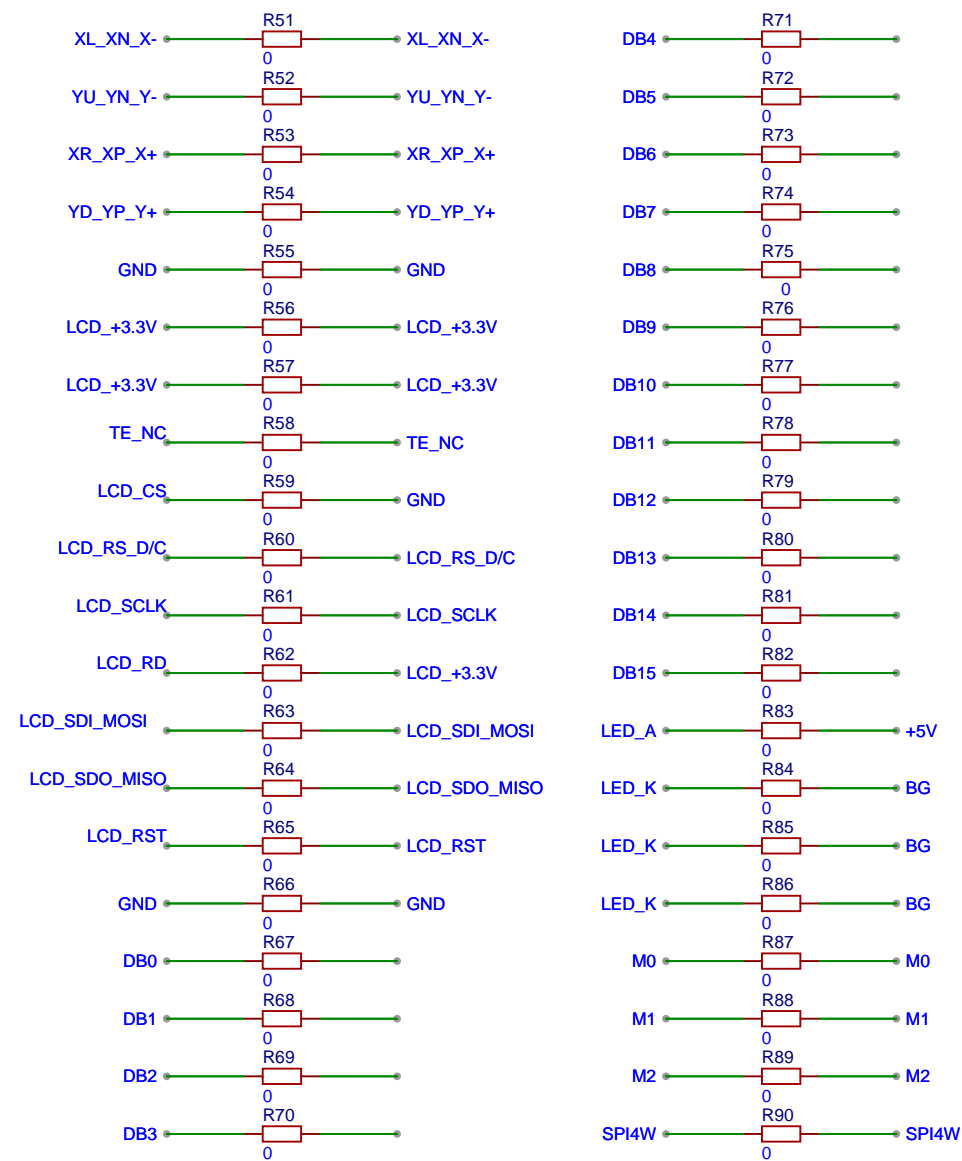


TE摄像头与彩屏帧同步信号，通常不需要连接
P32_SCLK_SPI彩屏时钟
P33_MISO单片机输入彩屏输出，通常不需要连接
P34_MOSI单片机输出彩屏输入
P35_RES彩屏复位控制
P36_RS_D/C选择显示数据或寄存器参数、0选择寄存器指令
P50_BLK彩屏背光控制，可配置为PWM调光
LCD_CS彩屏使能接GND

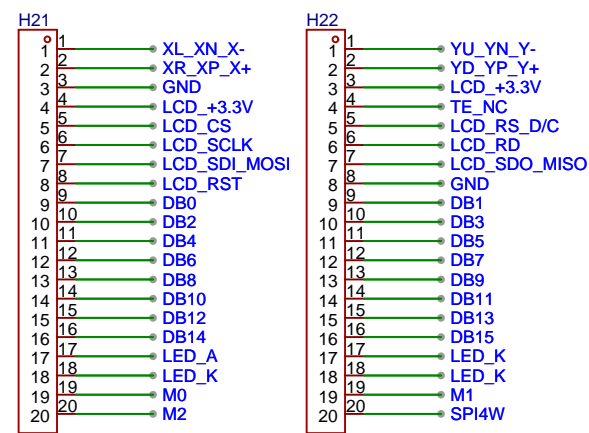
默认4.3寸ST6201彩屏4线SPI连接
只焊R43、R46、R48、R49
不焊R44、R45、R47、R50



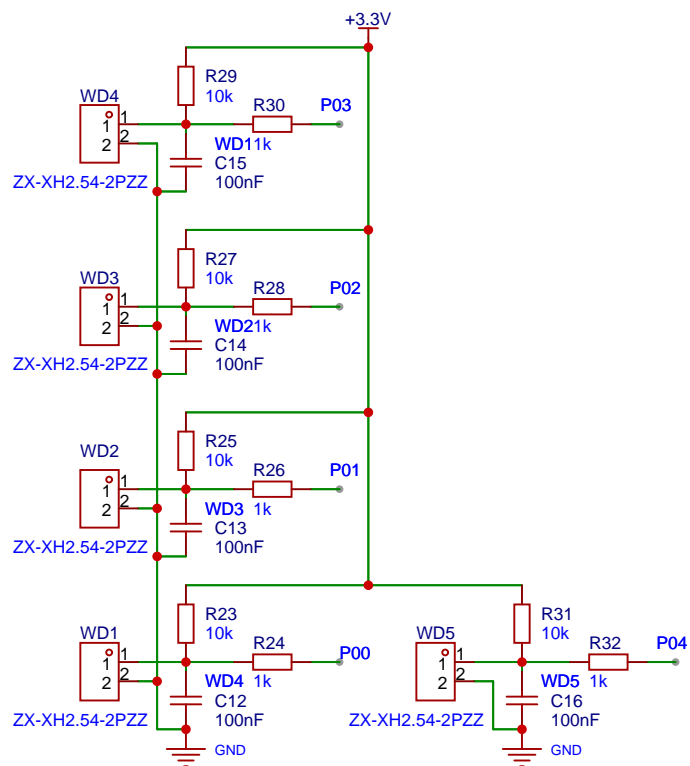
| | | | | | | | |
|-----------|---------------------|---------------------|---------------|-------|---|----|---|
| Schematic | 基于AI8051U的触摸彩屏控制开发板 | Update Date | 2024-12-13 | | | | |
| | | Create Date | 2024-12-10 | | | | |
| Page | SPI串行彩屏 | Part Number | GLGK-24120801 | | | | |
| Drawn | 彭工_13662232532 | 基于AI8051U的触摸彩屏控制开发板 | | | | | |
| Reviewed | 彭工_13662232532 | | | | | | |
| | | VER | SIZE | PAGE | 3 | OF | 7 |
| 嘉立创EDA | | V1.0 | A4 | 阳光自由行 | | | |



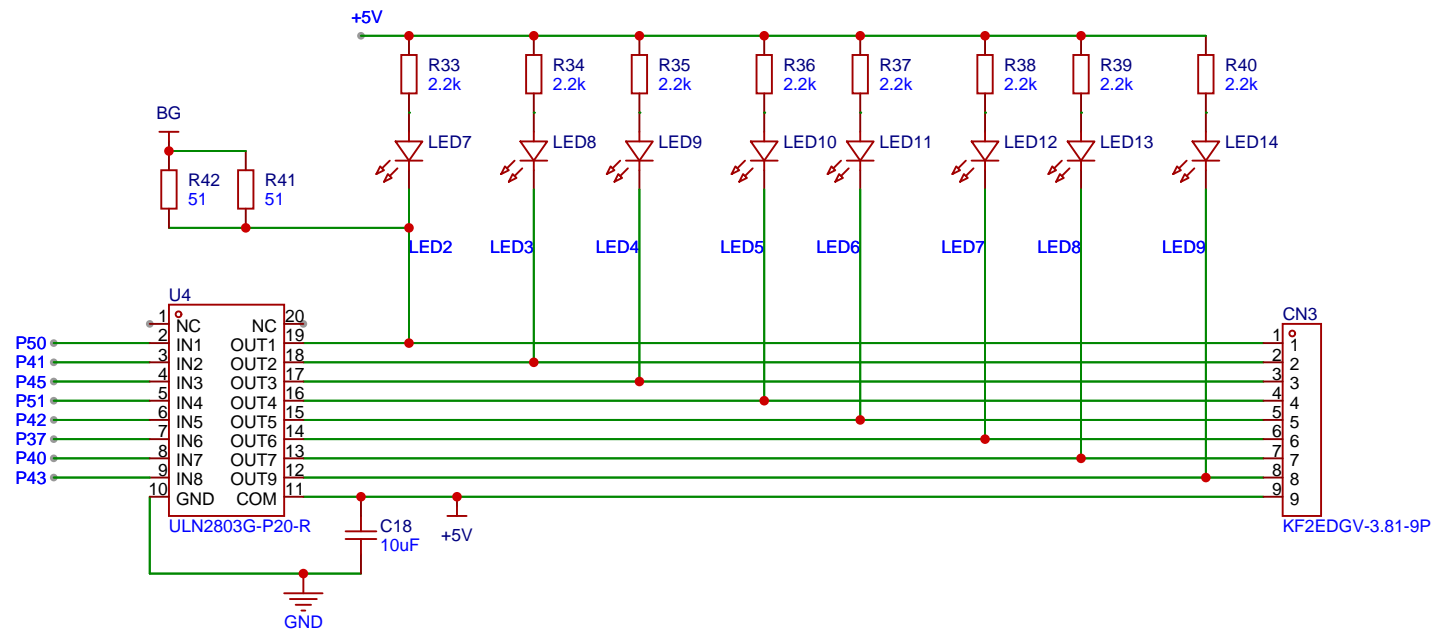
8-16位并口彩屏杜邦线连接测试接口



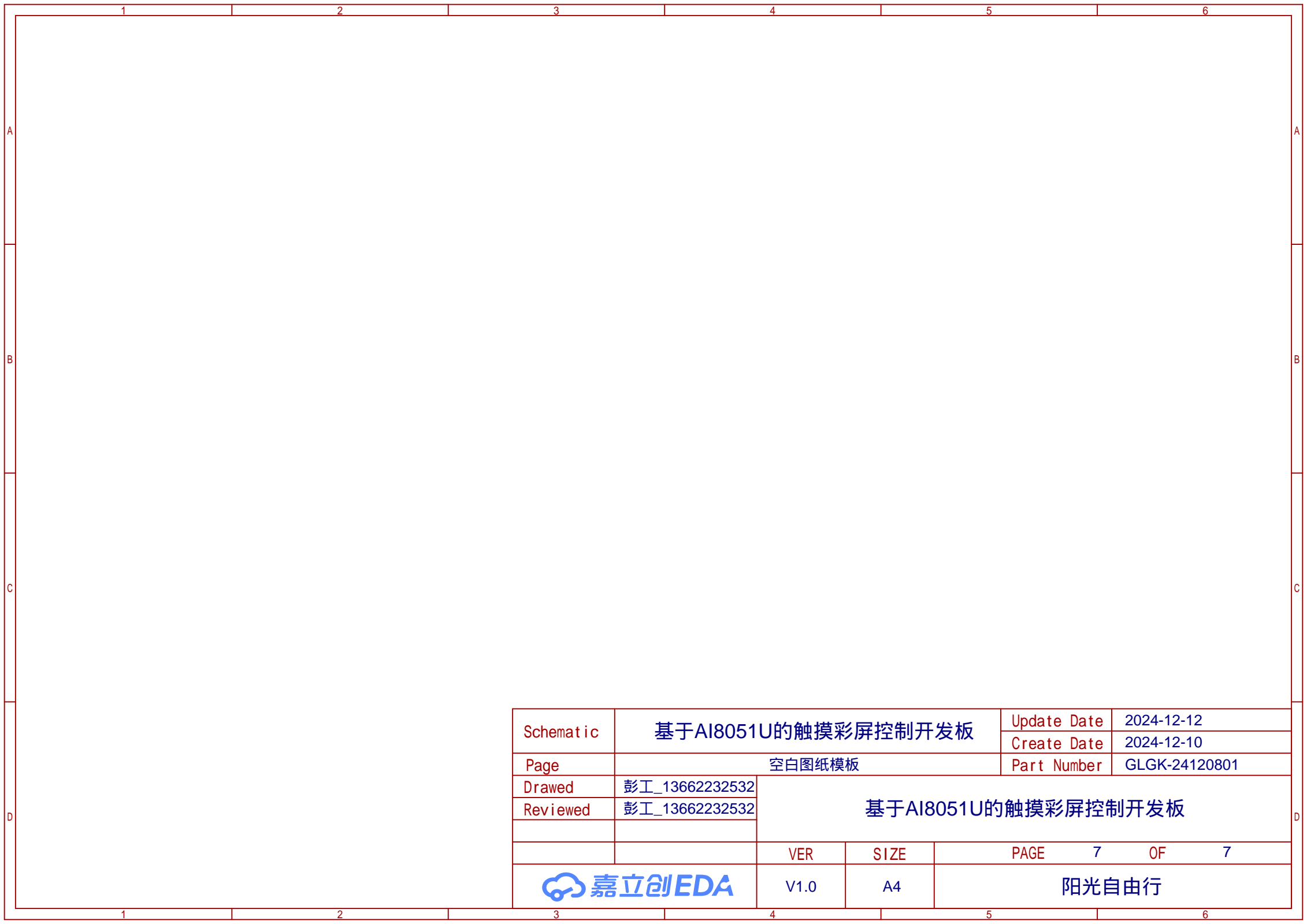
| | | | | | | | | |
|-----------|---------------------|--|---------------------|---------------|-------|---|----|---|
| Schematic | 基于AI8051U的触摸彩屏控制开发板 | | Update Date | 2024-12-13 | | | | |
| | | | Create Date | 2024-12-10 | | | | |
| Page | 并口彩屏 | | Part Number | GLGK-24120801 | | | | |
| Drawn | 彭工_13662232532 | | 基于AI8051U的触摸彩屏控制开发板 | | | | | |
| Reviewed | 彭工_13662232532 | | | | | | | |
| | | | VER | SIZE | PAGE | 4 | OF | 7 |
| 嘉立创EDA | | | V1.0 | A4 | 阳光自由行 | | | |



| | | | | | | |
|-----------|---------------------|--|---------------------|---------------|-------|--------|
| Schematic | 基于AI8051U的触摸彩屏控制开发板 | | Update Date | 2024-12-12 | | |
| | | | Create Date | 2024-12-10 | | |
| Page | 信号采集 | | Part Number | GLGK-24120801 | | |
| Drawn | 彭工13662232532 | | 基于AI8051U的触摸彩屏控制开发板 | | | |
| Reviewed | 彭工13662232532 | | | | | |
| | | | VER | SIZE | PAGE | 5 OF 7 |
| 嘉立创EDA | | | V3.0 | A3 | 阳光自由行 | |



| | | | | | | | |
|-----------|---------------------|---------------------|------------|-------|---|----|---|
| Schematic | 基于AI8051U的触摸彩屏控制开发板 | Update Date | 2024-12-12 | | | | |
| | | Create Date | 2024-12-10 | | | | |
| Page | 外设控制 | Part Number | | | | | |
| Drawn | 彭工13662232532 | 基于AI8051U的触摸彩屏控制开发板 | | | | | |
| Reviewed | 彭工13662232532 | | | | | | |
| | | VER | SIZE | PAGE | 6 | OF | 7 |
| 嘉立创EDA | | V3.0 | A3 | 阳光自由行 | | | |



| | | | | | | | |
|--|---------------------|---------------------|---------------|-------|---|----|---|
| Schematic | 基于AI8051U的触摸彩屏控制开发板 | Update Date | 2024-12-12 | | | | |
| | | Create Date | 2024-12-10 | | | | |
| Page | 空白图纸模板 | Part Number | GLGK-24120801 | | | | |
| Drawn | 彭工_13662232532 | 基于AI8051U的触摸彩屏控制开发板 | | | | | |
| Reviewed | 彭工_13662232532 | | | | | | |
| | | VER | SIZE | PAGE | 7 | OF | 7 |
|  | | V1.0 | A4 | 阳光自由行 | | | |